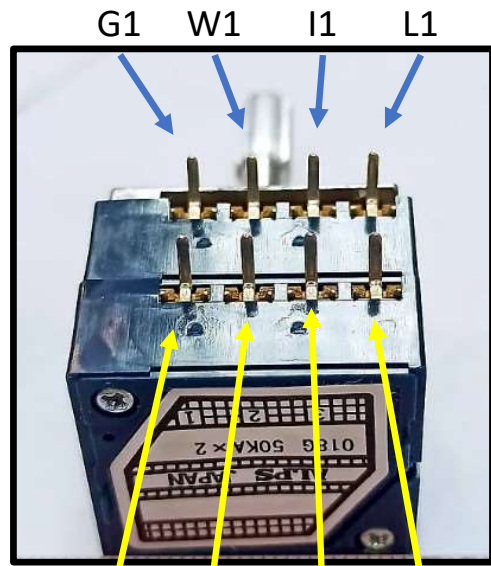
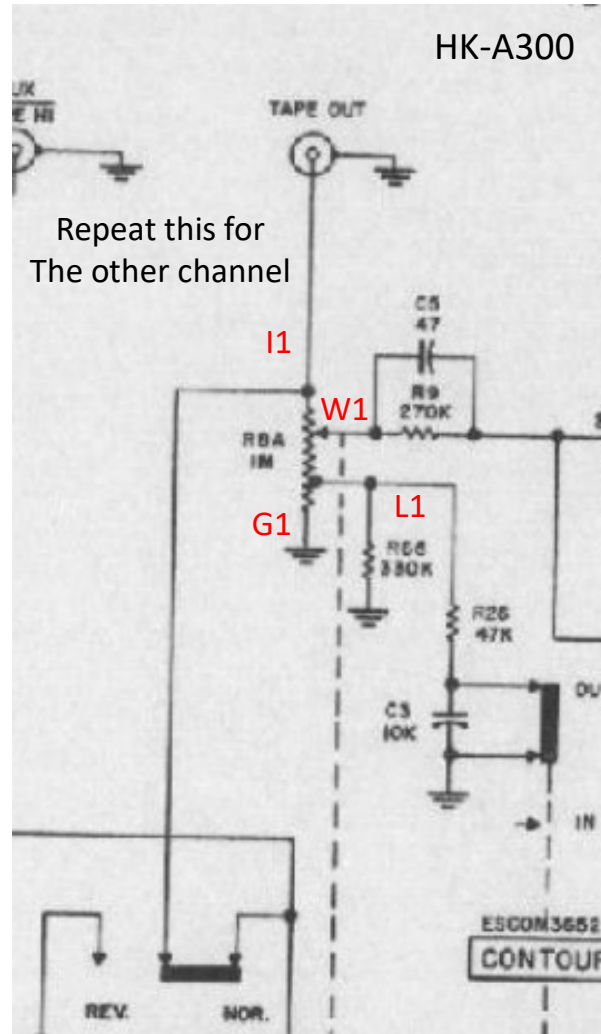
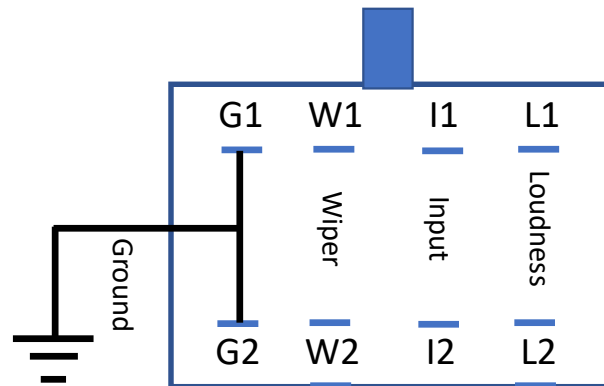


ALPS RK27 w/Loudness Tap for HK-A300



G2 W2 I2 L2



Repeat this for
The other channel

Example: My Dynaco PAS3x
RK27 replacement. I opted to
have the connections facing
Up, it simplifies measuring
with a scope.



Note the Loudness Taps are on
The Right and the Ground has
a Black Jumper Wire joining the
connections together to ground
on the Left. Oriented just like the
picture of the RK27 on the top Left.